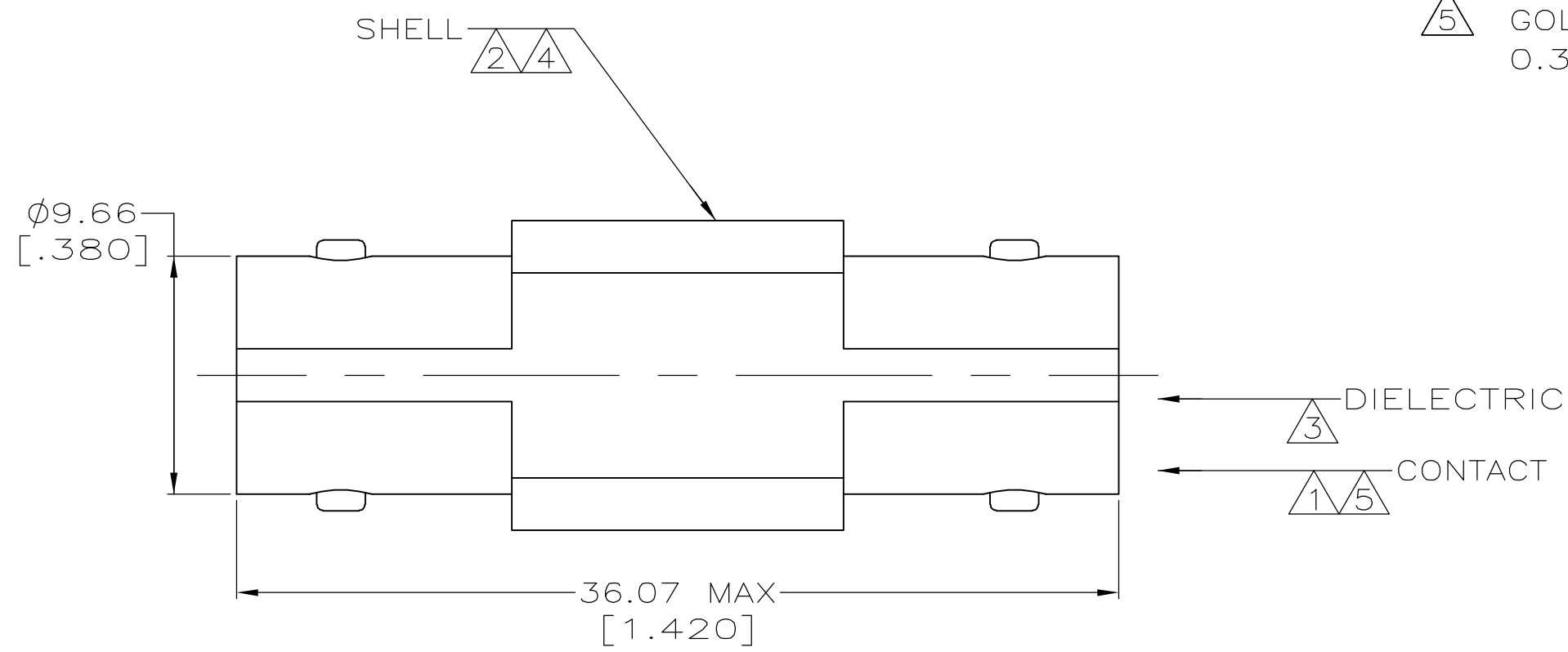


THIS DRAWING IS UNPUBLISHED. RELEASED FOR PUBLICATION
 © COPYRIGHT BY TYCO ELECTRONICS CORPORATION. ALL RIGHTS RESERVED.

LOC	DIST	REVISIONS			
P	LTR	DESCRIPTION	DATE	DWN	APVD
AJ	16	A	REVISED PER EC 0S14-0150-05	05OCT2005	REH JL

- ① PHOSPHOR BRONZE PER QQ-B-750
- ② ZINC PER QQ-Z-363
- ③ POLYMETHYLPENTENE: GENERAL PURPOSE
- ④ NICKEL PLATE PER QQ-N-290, 3.81 μm [.000150] MIN THICKNESS
- ⑤ GOLD PLATE PER ASTM-B-488, 0.38 μm [.000015] MIN THICKNESS



5414414-1
PART NUMBER

THIS DRAWING IS A CONTROLLED DOCUMENT.		DWN G. ATTADIA - DOCK5 19APR2005	Tyco Electronics Corporation Harrisburg, PA 17105-3608		
DIMENSIONS: mm [INCHES]		CHK J. HAVENER 19APR2005			
TOLERANCES UNLESS OTHERWISE SPECIFIED:		APVD J. LIPPERT 19APR2005	NAME JACK-TO-JACK ADAPTER ASSEMBLY, COMMERCIAL BNC		
0 PLC ± - 1 PLC ± - 2 PLC ± 0.05 [.002] 3 PLC ± - 4 PLC ± - ANGLES ± -		PRODUCT SPEC -	RESTRICTED TO -		
MATERIAL ① ② ③		APPLICATION SPEC -	SIZE A3	CAGE CODE 00779	DRAWING NO G-5414414
FINISH ④ ⑤		WEIGHT -	CUSTOMER DRAWING		
		SCALE 4:1	SHEET 1 of 1	REV A	